

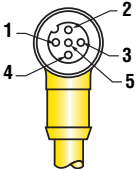
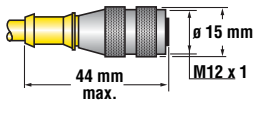
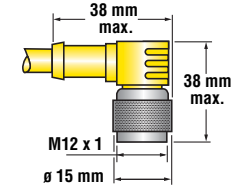
Quick-Disconnect Cables – Euro-Style (M12)

Accessories

5-Pin Euro-Style Cables

Cable: PVC jacket, polyurethane connector body, chrome-plated brass coupling nut
Conductors: 22 or 20 AWG high-flex stranded, gold-plated contacts
Voltage Rating: 250V ac/300V dc
Temperature: -40° to +90° C

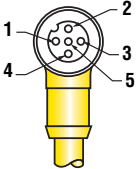
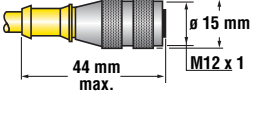
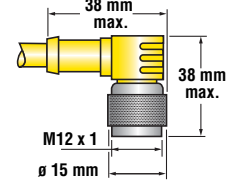


Female Pinout	Model	Style	Length	Dimensions	Used With
 <p>1 = Brown 2 = White 3 = Blue 4 = Black 5 = Gray</p>	MQDC1-506	Straight	2 m		<ul style="list-style-type: none"> • MINI-BEAM <i>Expert</i> • QS30 • PicoDot • Q45 Laser Retro • R55F • SL30 & SL30E • SL10 & SL10E • SLC1 • Q60 • PVD • STB • VTB (2-color)
	MQDC1-515	Straight	5 m		
	MQDC1-530	Straight	9 m		
	MQDC1-506RA	Right-Angle	2 m		
	MQDC1-515RA	Right-Angle	5 m		
	MQDC1-530RA	Right-Angle	9 m		

5-Pin Euro-Style Cables with Shield

Cable: PVC jacket, polyurethane connector body, chrome-plated brass coupling nut
Conductors: 22 or 20 AWG high-flex stranded, gold-plated contacts
Voltage Rating: 250V ac/300V dc
Temperature: -40° to +90° C



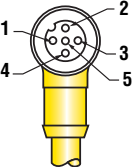
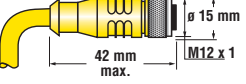
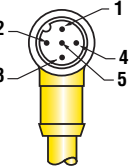
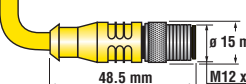
Female Pinout	Model	Style	Length	Dimensions	Used With
 <p>1 = Brown 2 = White 3 = Blue 4 = Black 5 = Gray</p>	MQDEC2-506	Straight	2 m		<ul style="list-style-type: none"> • Q50 • R58E • M-GAGE Q7M • M-GAGE S18M • QT50U dc sensors • S18U • T30U • Q45U • Q45UR • T-GAGE M18T • LX
	MQDEC2-515	Straight	5 m		
	MQDEC2-530	Straight	9 m		
	MQDEC2-506RA	Right-Angle	2 m		
	MQDEC2-515RA	Right-Angle	5 m		
	MQDEC2-530RA	Right-Angle	9 m		

ACCESSORIES

5-Pin Euro-Style Cables - Double Ended

Cable: PVC jacket, polyurethane connector body, chrome-plated brass coupling nut
Conductors: 22 or 20 AWG high-flex stranded, gold-plated contacts
Voltage Rating: 250V ac/300V dc
Temperature: -40° to +90° C



Pinout	Model	Style	Length	Dimensions	Used With	
Female 	DEE2R-51D	Female Straight/ Male Straight	0.3 m		<ul style="list-style-type: none"> • MINI-BEAM Expert • QS30 • PicoDot • Q45 Laser Retro • R55F • SL30 & SL30E • SL10 & SL10E • SLC1 • Q60 • PVD • STB • VTB (2-color) 	
	DEE2R-53D		1 m			
	DEE2R-58D		2.4 m			
Male 	DEE2R-515D		4.5 m			
	DEE2R-525D		8 m			
	DEE2R-550D		15 m			
	DEE2R-575D		23 m			
	DEE2R-5100D		30 m			

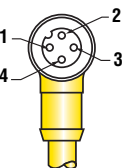
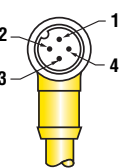
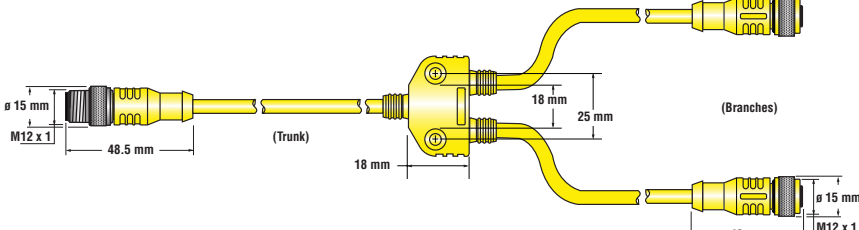
1 = Brown
 2 = White
 3 = Blue
 4 = Black
 5 = Gn/Ye



4-Pin Euro-Style Splitter Cables

Cable: PVC jacket, polyurethane connector body, chrome-plated brass coupling nut
Conductors: 22 AWG high-flex stranded, gold-plated contacts
Temperature: -40° to +90° C
Voltage Rating: 250V ac/300V dc



Connections				
Pinout	Model	Branches	Trunk	Used With
Female 	CSB-M1240M1240*	4-Pin Euro QD 2 x 0.3 m Female	No Trunk Male	<ul style="list-style-type: none"> • Sensors w/4-pin Euro QD • EZ-LIGHT
	CSB-M1241M1241		0.3 m Male	
	CSB-M1248M1241		2.5 m Male	
	CSB-M12415M1241		5 m Male	
	CSB-M12425M1241		8 m Male	
	CSB-UNT425M1241		8 m Unterminated	
Male 				
	Dimensions			
				

1 = Brown
 2 = White
 3 = Blue
 4 = Black



ACCESSORIES

* CSB-M1240M1240 replaces models number MDCVB4T.